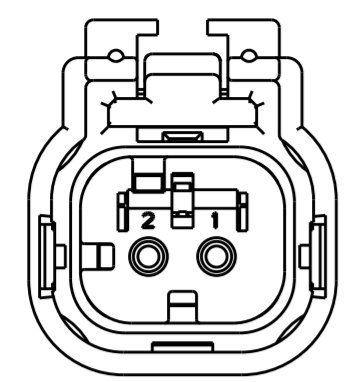
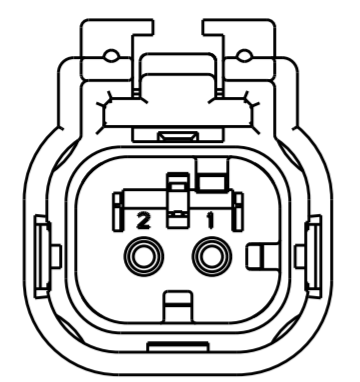


THIS DRAWING IS UNPUBLISHED. RELEASED FOR PUBLICATION 20
COPYRIGHT 20 BY - ALL RIGHTS RESERVED.

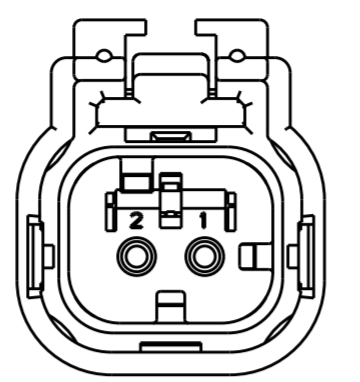
REVISIONS				
P	LTR	DESCRIPTION	DATE	APVD
G		REVISED PER ECO-13-019067	05DEC2013	DR RB



776427-2
SCALE 2:1
KEY B

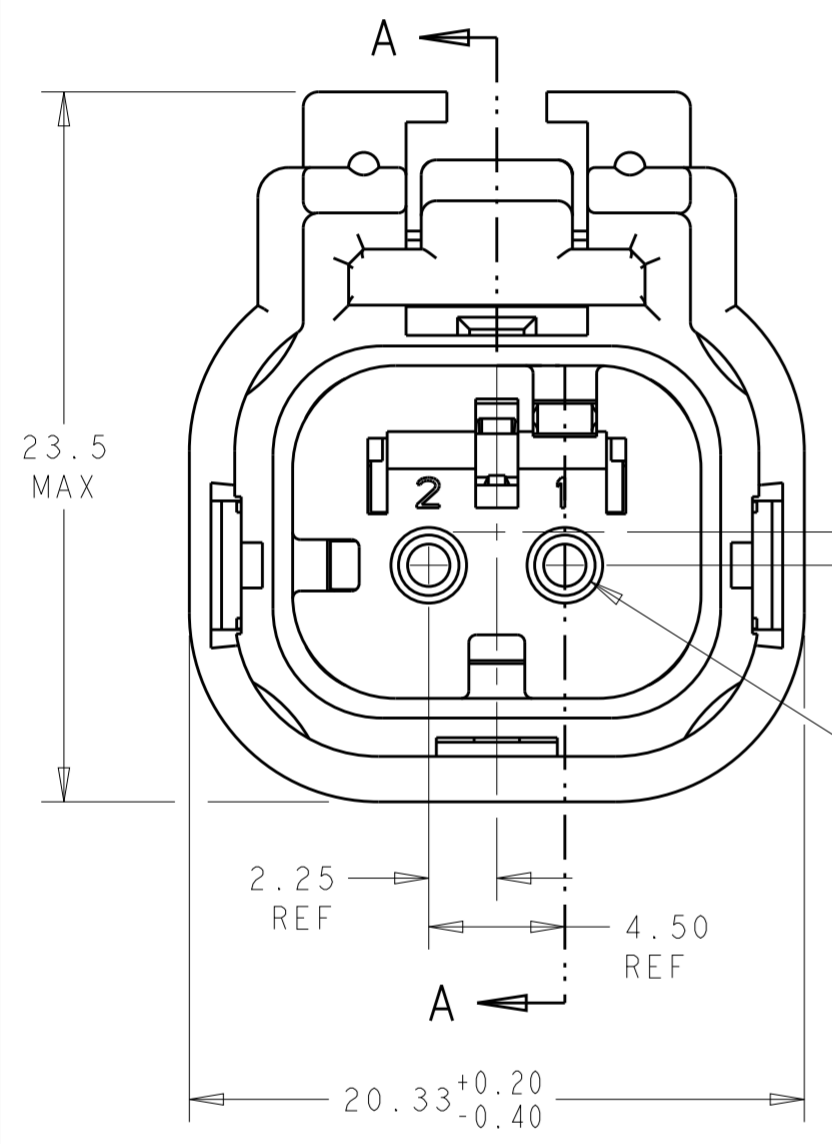


776427-3
SCALE 2:1
KEY C

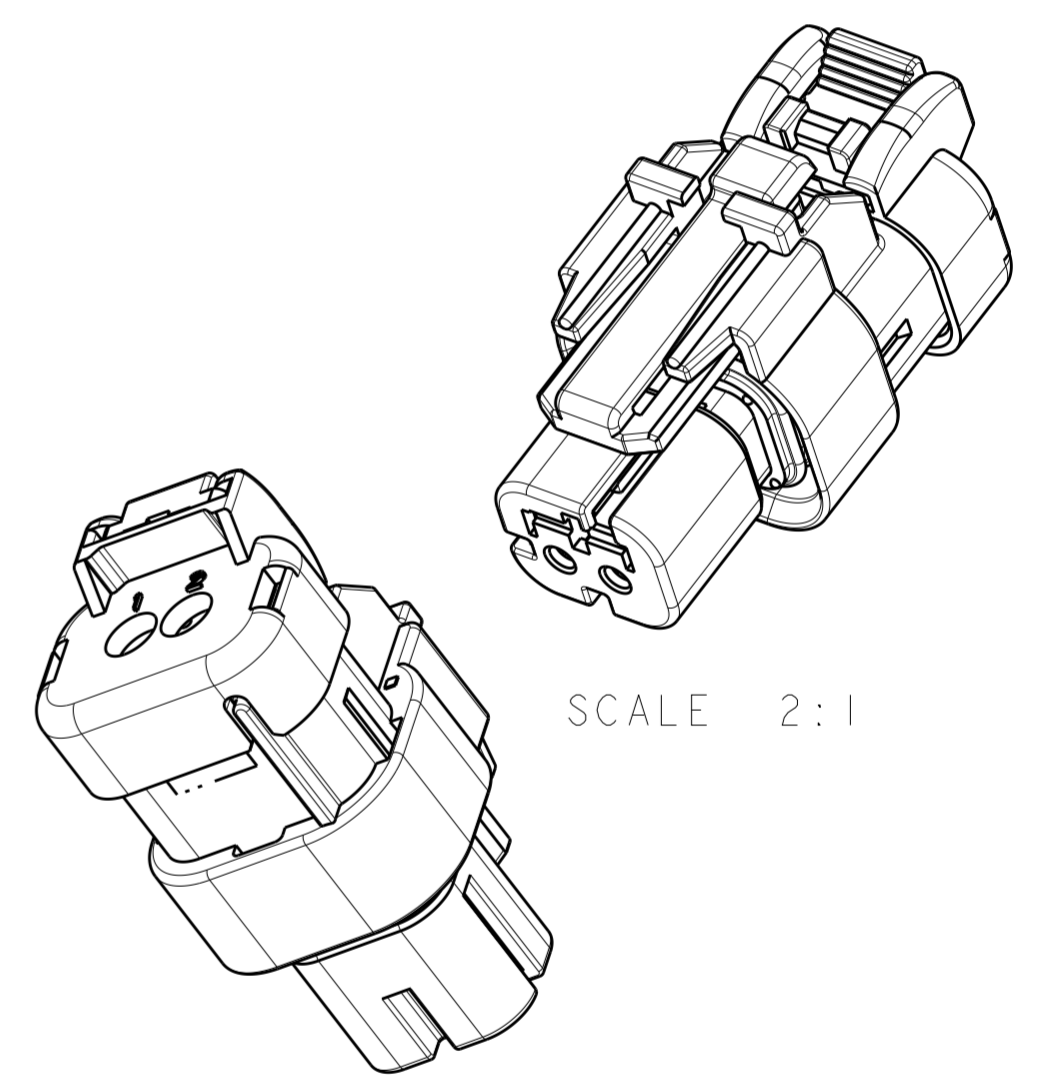
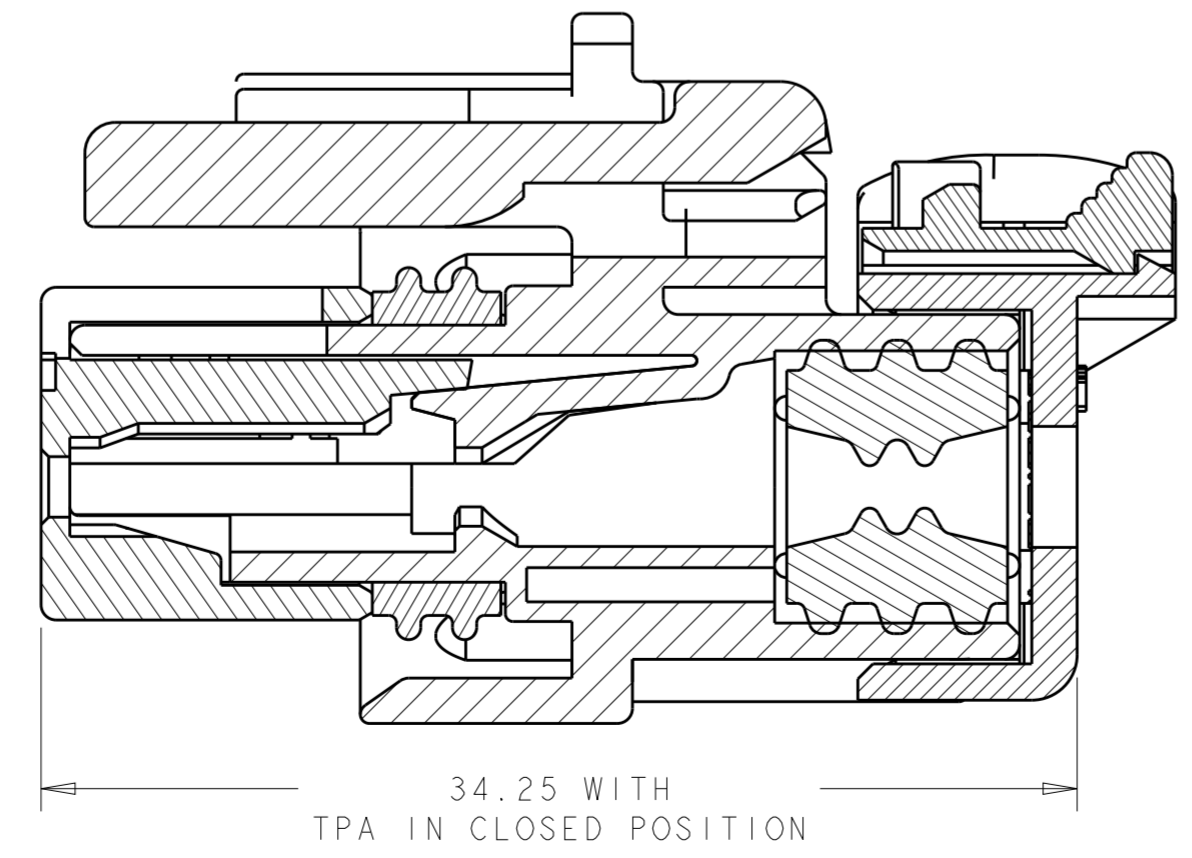
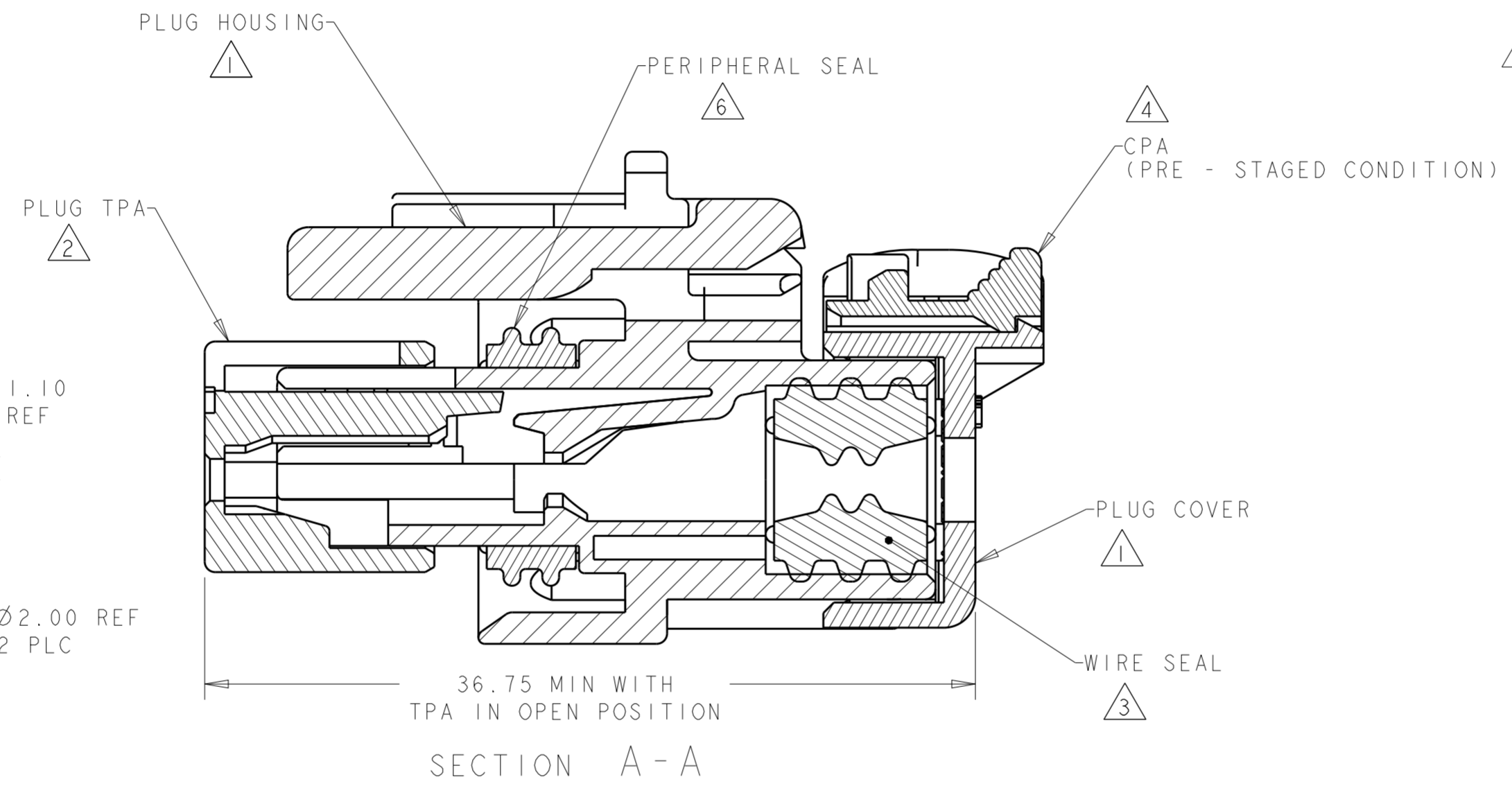


776427-4
SCALE 2:1
KEY D

- 1 MATERIAL: 15% GLASS FILLED THERMOPLASTIC
COLOR: BLACK
- 2 MATERIAL: 15% GLASS FILLED THERMOPLASTIC
COLOR: (SEE TABLE)
- 3 MATERIAL: SILICONE
COLOR: MARINE BLUE
- 4 MATERIAL: 15% GLASS FILLED THERMOPLASTIC
COLOR: RED
- 5. RECOMMENDED WIRE DIAMETER RANGE IS 2.18 TO 3.67mm.
- 6 MATERIAL: SILICONE
COLOR: BLUE



776427-1 SHOWN
KEY A



D	GREEN	776427-4
C	YELLOW	776427-3
B	GRAY	776427-2
A	RED	776427-1
KEY	TPA COLOR	PART NUMBER

THIS DRAWING IS A CONTROLLED DOCUMENT.

DIMENSIONS:	TOLERANCES UNLESS OTHERWISE SPECIFIED:	DWN	22FEB00	STE TE Connectivity			
mm	0 PLC ±	CHK	11DEC01				
	1 PLC ±	APVD	11DEC01				
	2 PLC ±	NAME	PLUG ASSEMBLY, 2 POSITION, SINGLE ROW AMPSEAL 16				
	3 PLC ±	PRODUCT SPEC	108-2184	SIZE	CAGE CODE	DRAWING NO	RESTRICTED TO
	4 PLC ±	APPLICATION SPEC	114-13065	A20779	G-776427		
	ANGLES ±	WEIGHT	8	SCALE	4:1	SHEET	OF
	FINISH -	Customer Drawing					REV
							G